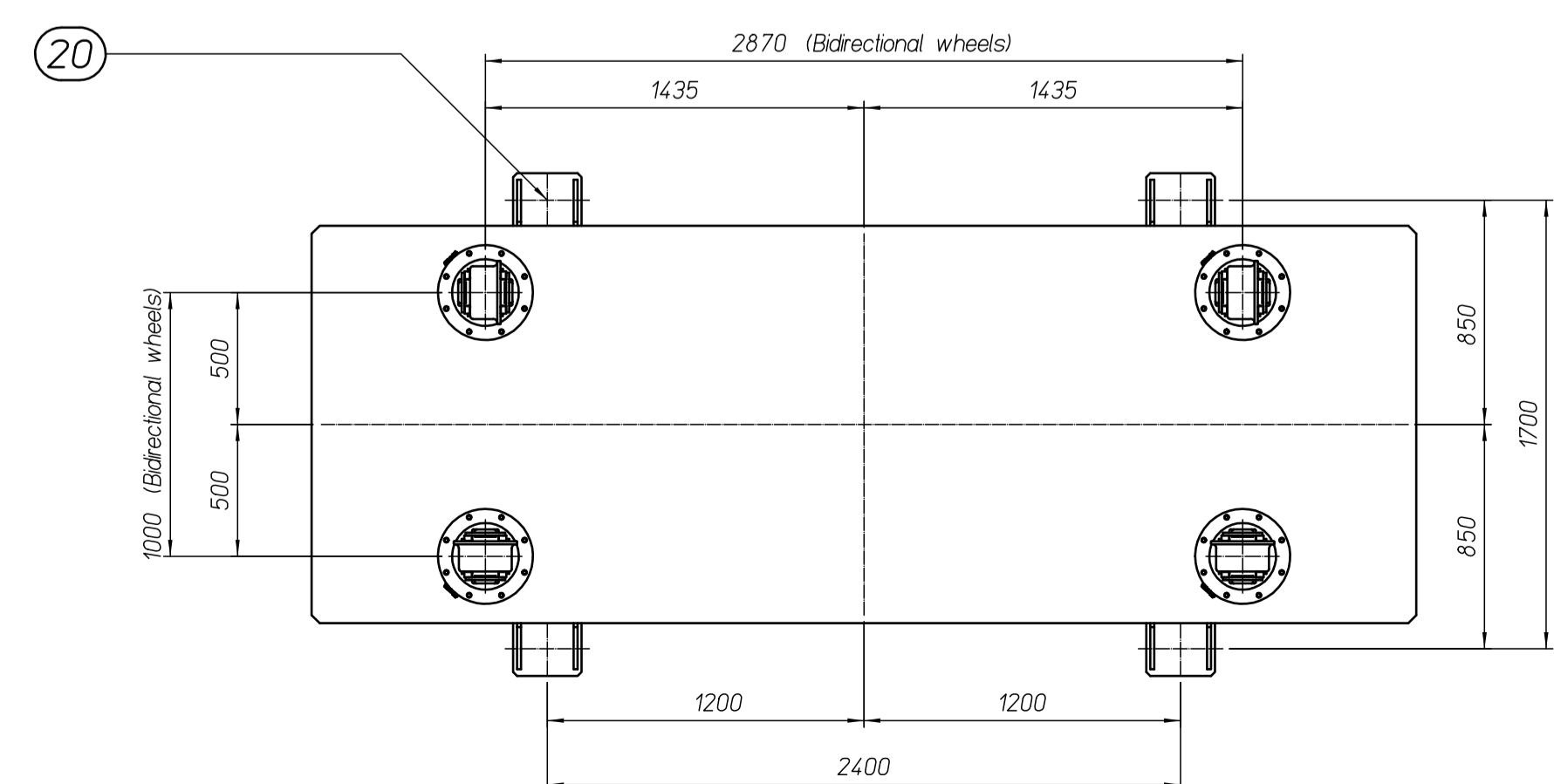
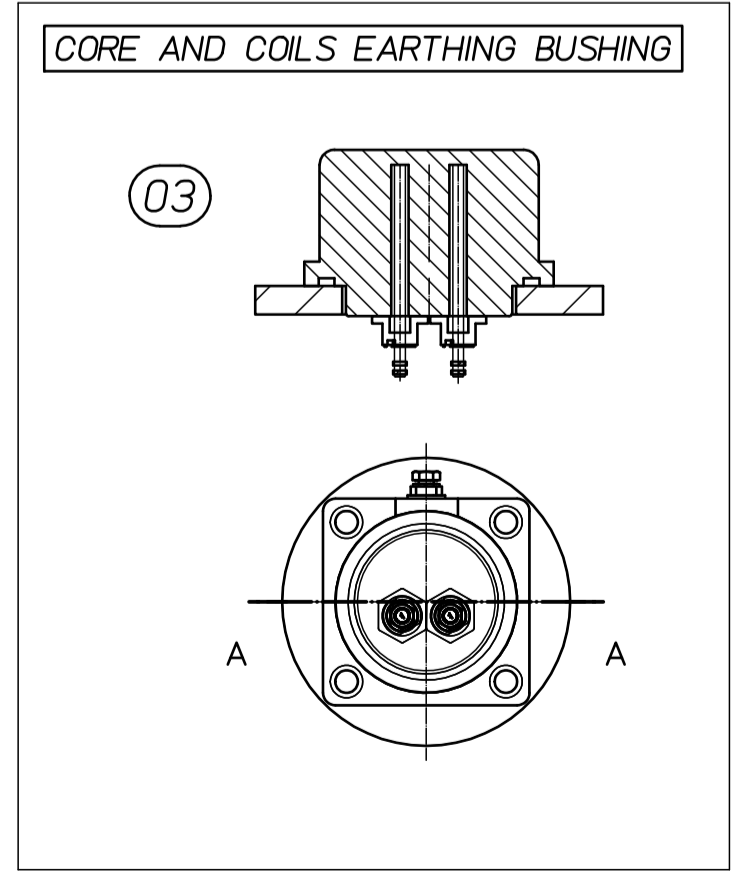
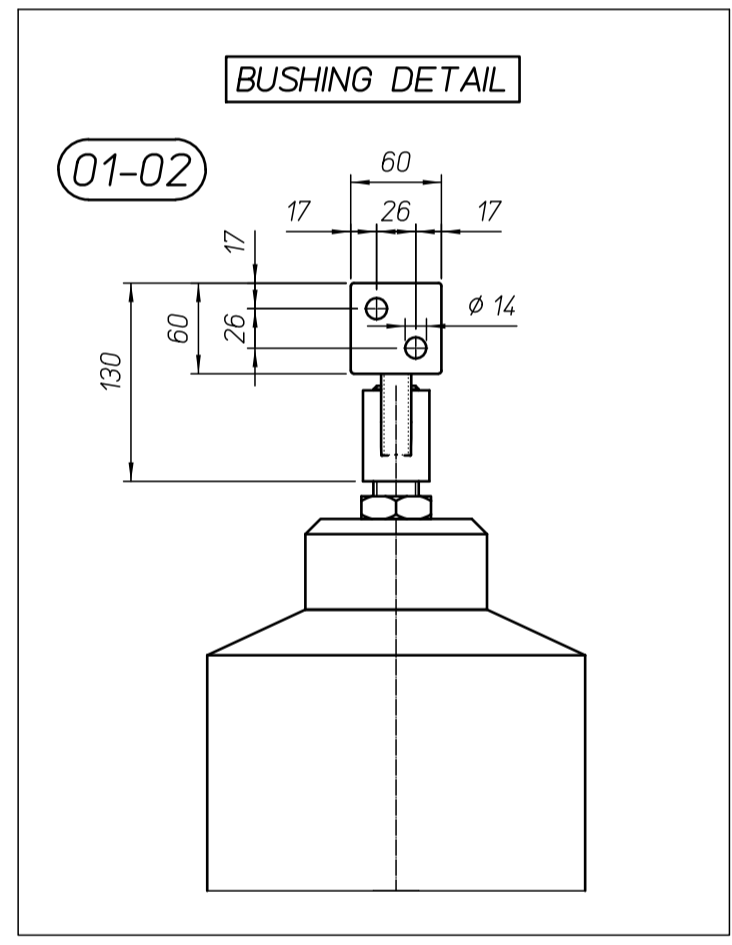
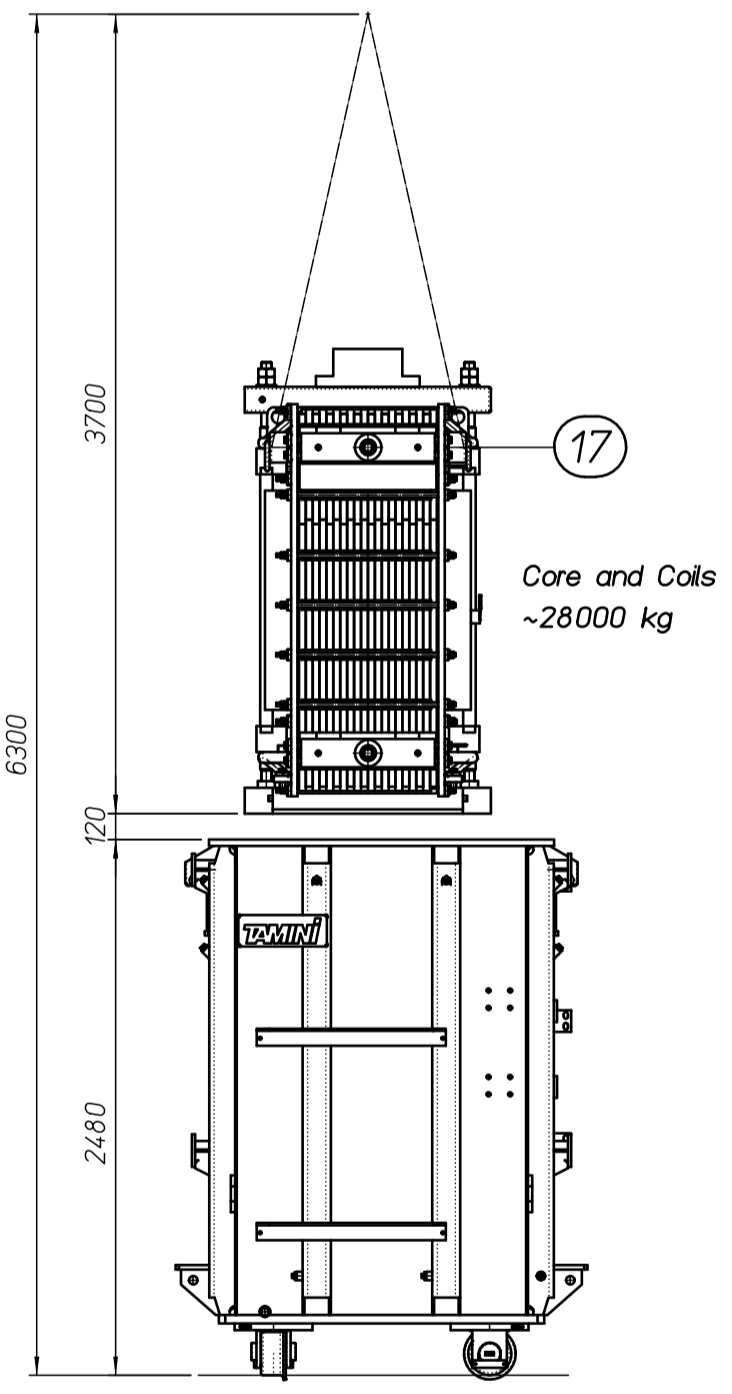
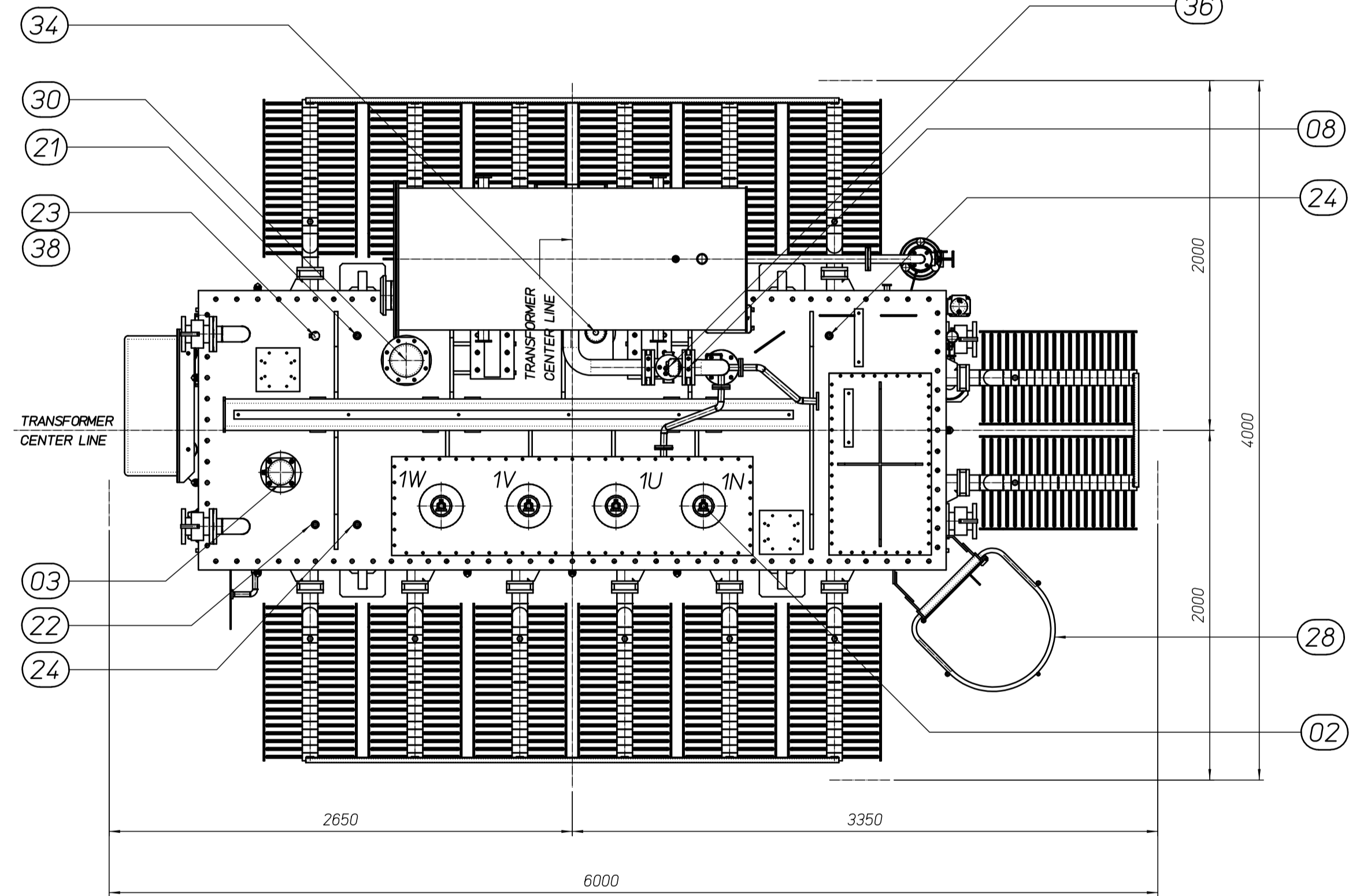
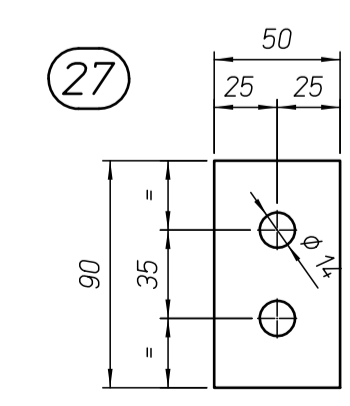


Pos.	Description	Type	Qty
01	HV Bushing	52kV / 1250A	3
02	Neutral bushing	52kV / 1250A	1
03	Core and coils earthing bushing	1kV / 630A	1
04	Radiator		14
05	Oil drain (tank) / Filter press connection valve (bottom)	DN80 PN10	1
06	Conservator drain valve	1 1/2" G	1
07	Conservator filling valve	1 1/2" G	1
08	Valve for Buchholz relay	Butterfly DN80	2
09	Valve for radiator	Butterfly DN80	28
10	Filter press connection valve (top)	DN80 PN10	1
11	Oil treatment	DN80 PN10	2
12	Oil sampling valve (bottom)	1/2" G	1
13	Valve for dry air bottle	1/2" G	1
14	Valve for Dehydrating breather	1 1/2" G	1
15	Oil conservator for transformer tank		1
16	Complete transformer lifting lugs		4
17	Core & coils lifting lugs		4
18	Conservator lifting lugs		4
19	Eyes for placing the transformer		4
20	Jacking pads		4
21	Packet for dial type thermometer		1
22	Packet for winding temperature indicator		1
23	Packet for Oil temperature heat resistor		1
24	Packet (spare)		2
25	Bidirectional wheel		4
26	Inspection hole		2
27	Tank grounding terminal		2
28	Ladder		1
29	Auxiliary Box		1
30	Terminal box for CT	SM2-L	1
31	Dehydrating breather for transformer tank		1
32	Dial type thermometer		1
33	Winding temperature indicator		1
34	Safely overpressure valve	VS100	1
35	Oil level indicator (transformer tank)	IL220	1
36	Buchholz relay	DN80	1
37	Gas sampler	RA-GA-B	1
38	Oil temperature heat resistor		1
39	Rating plate		1
40	Valve plate		1



TANK GROUNDING TERMINAL



DATI TECNICI	TECHNICAL DATA	CARACTERISTIQUES
TRASF. TRIFASE TIPO	THREE PHASE TRANSF. TYPE	: RTOE (ONAN)
TRASF. TRIFASE TIPO	THREE PHASE TYPE	: RTOE (ONAN)
POTENZA NOMINALE	RATING POWER	MVA : 50
RAFFREDDAMENTO	COOLING TYPE	: ONAN
TENSIONE A VUOTO	NO LOAD RATIO	TENSION A VIDE : kV : 31,5
COLLEGAMENTO	CONNECTIONS	: STAR + N
GRUPPO VETTORIALE	VECTOR GROUP	: YN
NORME DI RIFERIMENTO	STANDARDS	: IEC EN 60076
PESI	WEIGHTS	GRUPPO : 9,5 Tons
STRUTTURE	STRUCTURES	STRUTTURE : 28 Tons
TOTALE	TOTAL	: 51 Tons
CLIENTE	CUSTOMER	: CERB
ORDINE CLIENTE	CUSTOMER ORDER	: -

TAMINI ENERGY TRANSFORMERS

OUTLINE DIMENSIONS

Dwg No. TRD0100001412

Notes

Job 18TN021-18TN022-18TN023

Serial No 67207-67208-67209

Date 06-08-2019

Drawn, CANZI F.

Check, Appr., Scale 1:25

Rev.	Date	Modification	Drawn	Checked	Approved